



NewLife Surgical Works

An ISO 9001 : 2008 & CE Certified Company

BCDR System Catalogue

(Bone Cutting Drilling & Reaming System Electrical)





Content



Orthopedic



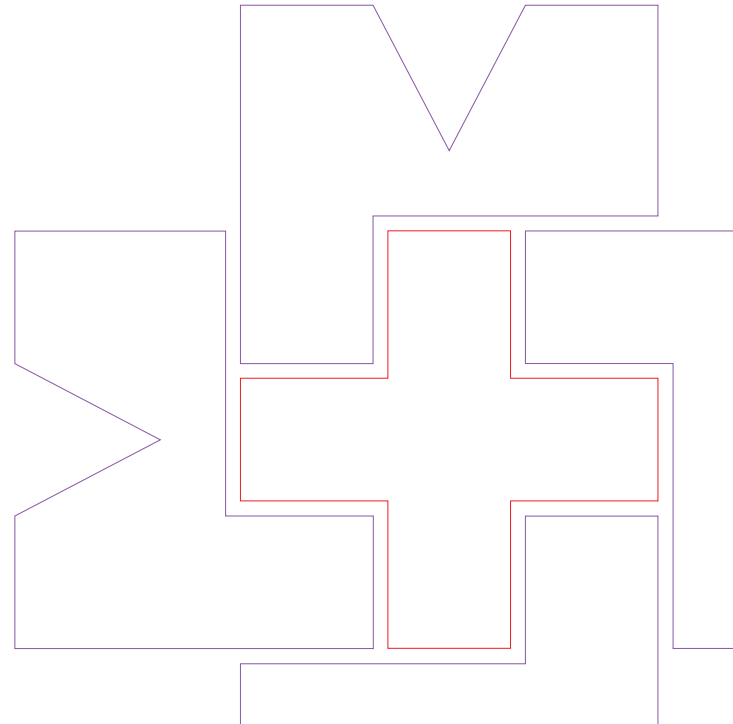
Neuro Surgery



Cardio - Thoracic



Accessories



Manman Universal Drilling Handpiece

- Drilling speed to match the requirements of all the surgical procedures
- Ergonomically designed traditional Manman Pistol grip for better maneuverability
- Cannulation suitable for all lengths of drill bits
- Jacob three jaw holding for better performance
- Autoclave and ETO friendly under standard conditions

ORDER CODE **B**



Manman Sagittal Saw Handpiece

- Oscillations proven to be efficient than any other bone cutting saw
- Cutting arc designed to give a precise cut
- Blades: set of standard 5 blades and 2 Manman TKR blades
- Lightweight and ergonomic
- Autoclave and ETO friendly under standard conditions

ORDER CODE **G1**



Manman Adaptors (For Reaming Handpiece)

- Compatible with Manman reaming handpiece
- Hudson adaptor, Synthes adaptor, Zimmer adaptor, Jacobs adaptor Compatible with standard A/O end
- Autoclave and ETO friendly under standard conditions

Adaptor	Order Code
Synthes	E
Hudson	F
Zimmer	F'
Jacobs	D

Zimmer **F'**Synthes **E**

Key less Jacob's Chuck

Hudson **F**Jacobs **D**

Manman Reaming Handpiece

- Reaming Speed suitable for intramedullary reaming
- Cannulation suitable for guide wires
- Supplied with standard A/O end
- Compatible with all Manman Flexible & Rigid type of reamers
- Autoclave and ETO friendly under standard conditions

ORDER CODE **C**



Manman Wire Driving Handpiece

- Ultra compatible hand piece with Krishna wires of multiple diameter ranging from 0.6-3.5 mm
- Precise holding mechanism for superficial and intra operative K-wire driving
- Cannulated hand-piece for extra long wire holding
- Lever mechanism for easy operation
- Autoclave and ETO friendly under standard conditions

ORDER CODE **WD**

Size	Diameter
●	0.8-1.8
○	1.8-2.5
○	2.5-3.5



Manman Reverse - Forward Handpiece

- Drilling speed to match the requirements of all the surgical procedures
- Ergonomically designed traditional Manman Pistol grip for better maneuverability
- Cannulation suitable for all lengths of drill bits
- Jacob three jaw holding for better performance
- Convenient lever for direction reversal
- Autoclave and ETO friendly under standard conditions

ORDER CODE **RF**



Manman Reciprocating Saw Handpiece

- Drilling speed to match the requirements of all the surgical procedures
- Ergonomically designed traditional Manman Pistol grip for better maneuverability
- Cannulation suitable for all lengths of drill bits
- Jacob three jaw holding for better performance
- Autoclave and ETO friendly under standard conditions

ORDER CODE **G2**



Manman Pro Saw

- Oscillating type Cutting action
- Light Weight, handy and aids to take difficult cuts at depth
- Five types of blades for precision cut
- Manman quick coupling Blades compatible **(ULTRA CUT COMPATAIBLE)**
- Blades from - high quality material
- Ideal for total knee, total hip, & amputation surgery
- Autoclave and ETO friendly under standard conditions

ORDER CODE **PRO SAW**



Manman PRO Handpiece

- Comptable with drilling attachment, reaming attachment and wire driving attachment of battery operated system
- Quick and handy for drilling, reaming & wire driving with least bone necrosis
- Cannulated for long drill's and Guide wire holding
- Light weight & Designed to perfection with a irresistible MANMAN PISTOL GRIP
- Autoclave and ETO friendly under standard conditions

ORDER CODE **PRO**



Manman Plaster Cutter

- Oscillating type Cutting action
- Light Weight with maximum motility
- Three types of blades for precision cut
- Blades from - High Quality Material
- Suitable for cutting POP & Synthetic casts
- Works on regular AC current & Fuse given for extra safety
- Designed & manufactured for use in OPD & Casulty

ORDER CODE **PC**



Manman Craniotome Handpiece

- Sleek design with a ergonomical pen type firm grip
- Router type cutting with a clean cut for minimum bone loss and edge preservation
- Enhanced Cutter material suitable for neuro surgeries and safe for patient use
- Quick coupling for replacing cutter
- Pediatric type cutters & smaller anchors available against request only
- Autoclave and ETO friendly under standard conditions

ORDER CODE **Q**



Manman Perforator Handpiece

- Light weight & Designed to perfection with a irresistible MANMAN GRIP
- Super safe speed control via foot pedal controlled motor with minimum bone necrosis
- Standard perforator of dia 8mm, 10 mm & 12 mm
- Clean cut burr holes due with the dura save mechanism
- Quick coupling for easy perforator replacement
- Autoclave and ETO friendly under standard conditions

ORDER CODE **R**

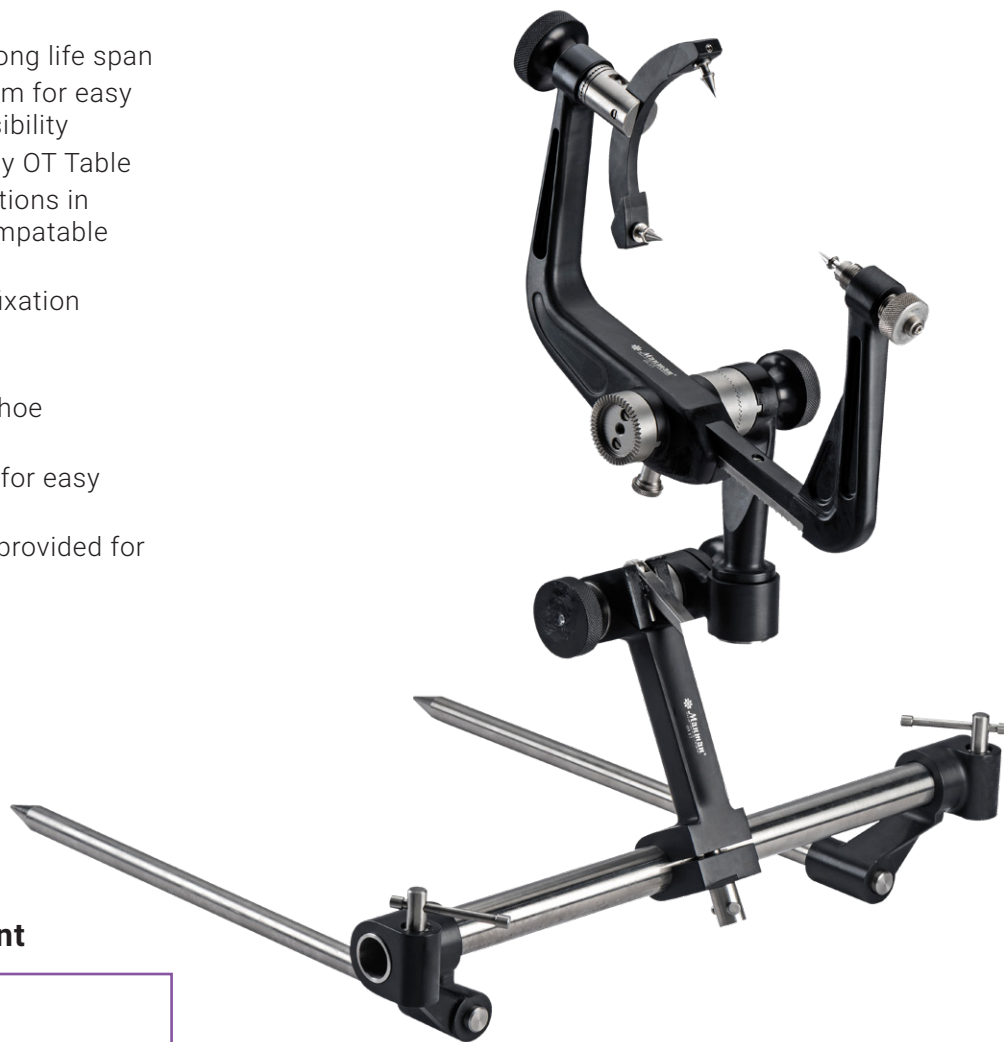


Manman 3 Pin Headrest

- Extra durable frame with long life span
- Multiple degrees of freedom for easy operability and better visibility
- Cross compatible with Any OT Table
- Compatible with any Positions in Neurosurgery and also compatible with sitting posture
- Head Frame with 3 Head fixation screws
- Autoclave and eto friendly
- 3 pin headrest and horseshoe attachment
- Light weight and suitable for easy mobility
- A suitable enclosure- bag provided for packing

ORDER CODE **3-Pin**

Horse shoe Attachment



Manman 4 Pin Headrest

- Extra durable frame with long life span
- Multiple degrees of freedom for easy operability and better visibility
- Cross compatible with Any OT Table
- Compatible with any Positions in Neurosurgery and also compatible with sitting posture
- Head Frame with 4 Head fixation screws
- Multiple attachments and self retaining brain retractor (SRBR) compatible
- Autoclave and ETO friendly
- Light weight and suitable for easy mobility

ORDER CODE **4-Pin**



Manman Sternum Saw Handpiece

- Reciprocating Type straight blade
- Light weight and ergonomical design for Sternotomy
- Pediatric type blades available against request
- Smaller anchors provided against request
- Reciprocations adequate for a clean cut
- Autoclave and ETO friendly under standard conditions

ORDER CODE 0



Manman Re-sternotomy Handpiece

- Oscillating Type cutting action for sternum cutting
- Light weight and ergonomical grip for resternotomy surgery
- Sector type blades which helps for efficient cutting of the steel wires
- Oscillations adequate for a clean and easy cut
- Autoclave and ETO friendly under standard conditions

ORDER CODE **P**



Manman Perforator Cutters

- Super safe speed control via foot pedal controlled motor with minimum bone necrosis
- Standard perforator of dia 8mm, 10 mm & 12 mm
- Clean cut burr holes due with the dura save mechanism
- Quick coupling for easy perforator replacement
- Single Surgery use only (recommended max 4-5 surgeries)
- Autoclave and ETO friendly under standard conditions



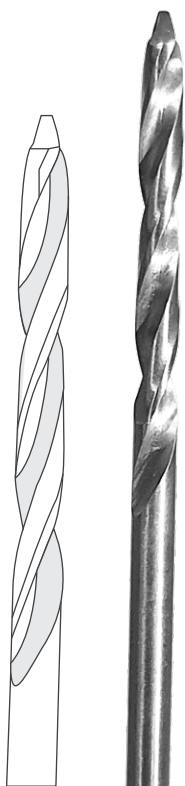
Manman Craniotome Cutters

- Router type cutting with a clean cut for minimum bone loss and edge preservation
- Enhanced Cutter material suitable for neuro surgeries and safe for patient use
- Quick coupling for replacing cutter
- Pediatric type cutters & smaller anchors available (against request only)
- Single Surgery use only (recommended max 4-5 surgeries)
- Autoclave and ETO friendly under standard conditions



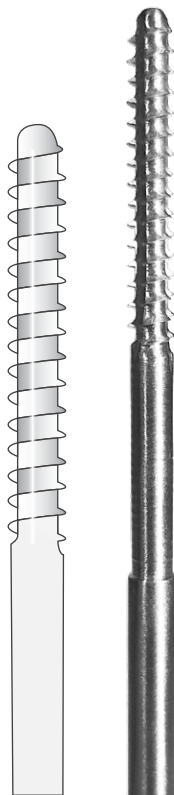
Manman Drill bits

Ø	Diameter
●	Ø 2.5
●	Ø 3.5
●	Ø 4.5



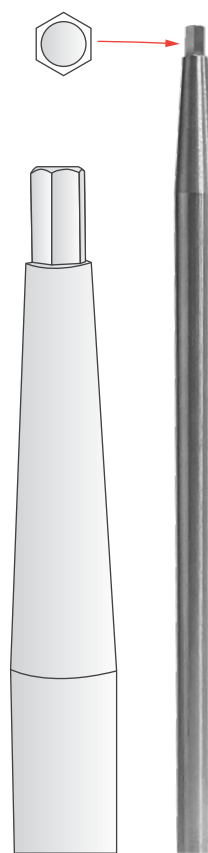
Manman Tap

Ø	Diameter
●	Ø 3.5
●	Ø 4.5



Manman Screw Driver

Ø	Diameter
●	Ø 3.5
●	Ø 4.5



Manman Fixed Head Reamers

- Flexible & fixed head, Flexible & detachable head, Rigid & fixed head & Rigid & detachable head Intra Medulary Reamers made of high quality material
- Usefull for limb as well as hand surgeries
- Wide range of sizes available from 6mm-8mm, 8 mm-12 mm & 12mm-16mm.
- Standered length of 440 mm
- Autoclave and ETO friendly
- Standarded length guide wire & teflon tube available
- Accompanied by a robust autoclaveable box



Manman Felxible Shaft

- Flexible shaft for enhanced performance
- Push - Pull type of end for quick coupling
- Standard lenth 1.5 meters
- Extra long length 2 meters
- Autoclave and ETO Friendly

ORDER CODE |



Manman Blade Sets

- Made of high quality material, which is autoclave and ETO friendly.
- Useful for limb as well as hand surgeries
- Wide range of sizes available
- Special type teeth arrangement for a precise and clean cut

Saggital saw bladeset



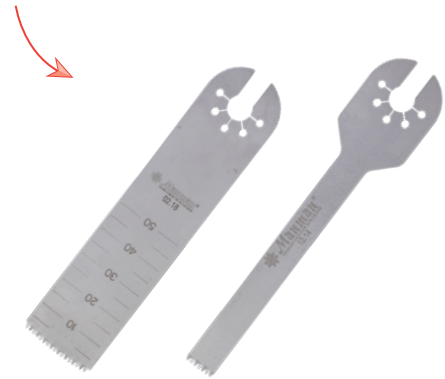
Sternum saw bladeset



Reciprocating saw bladeset



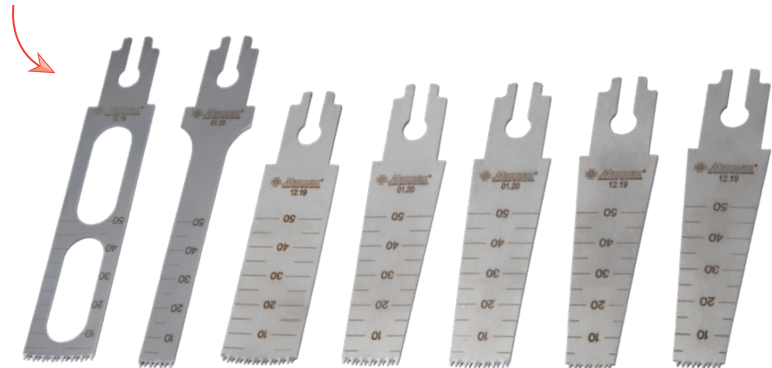
Saggital saw Special TKR bladeset



Plaster Cutter Bladeset

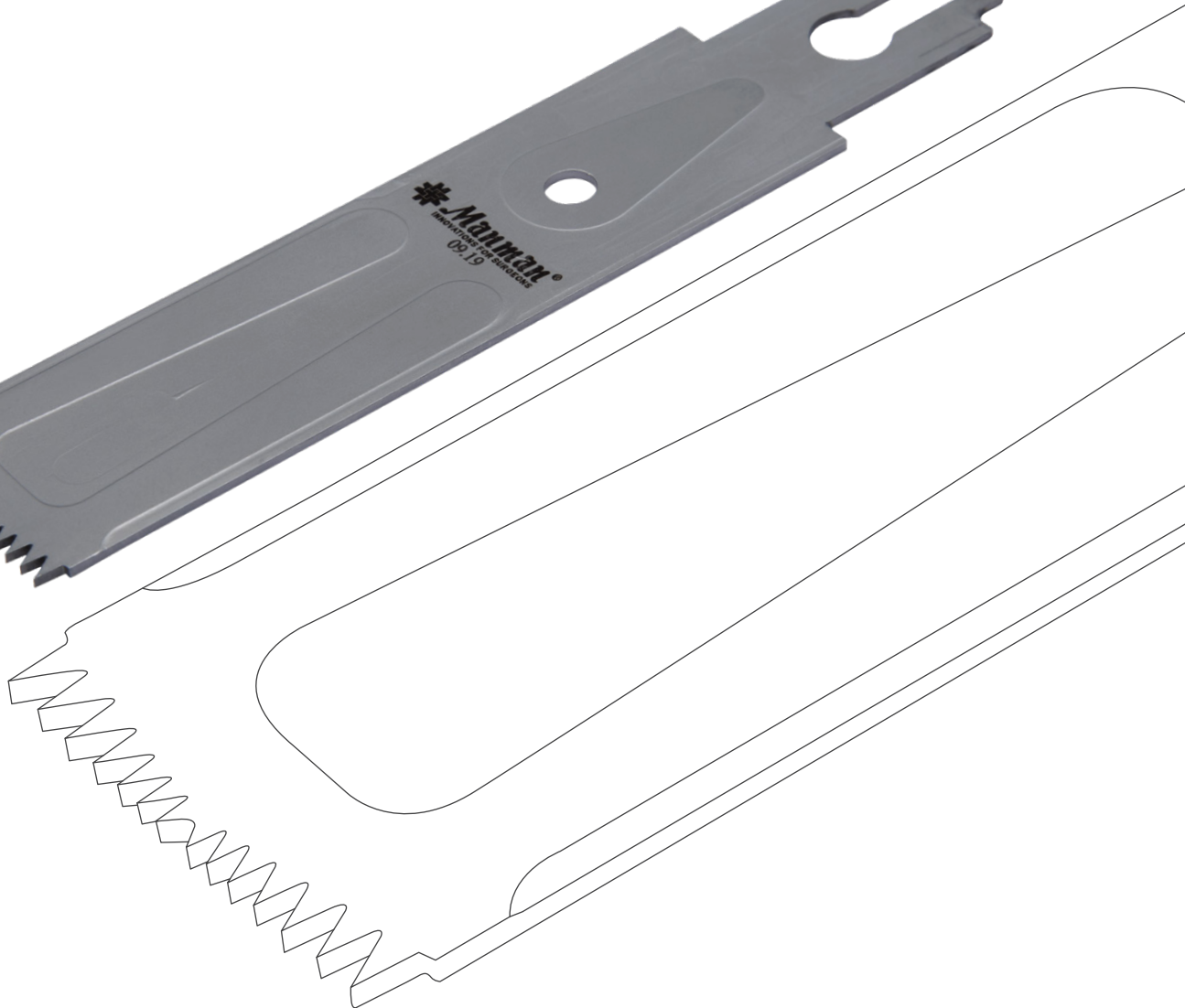
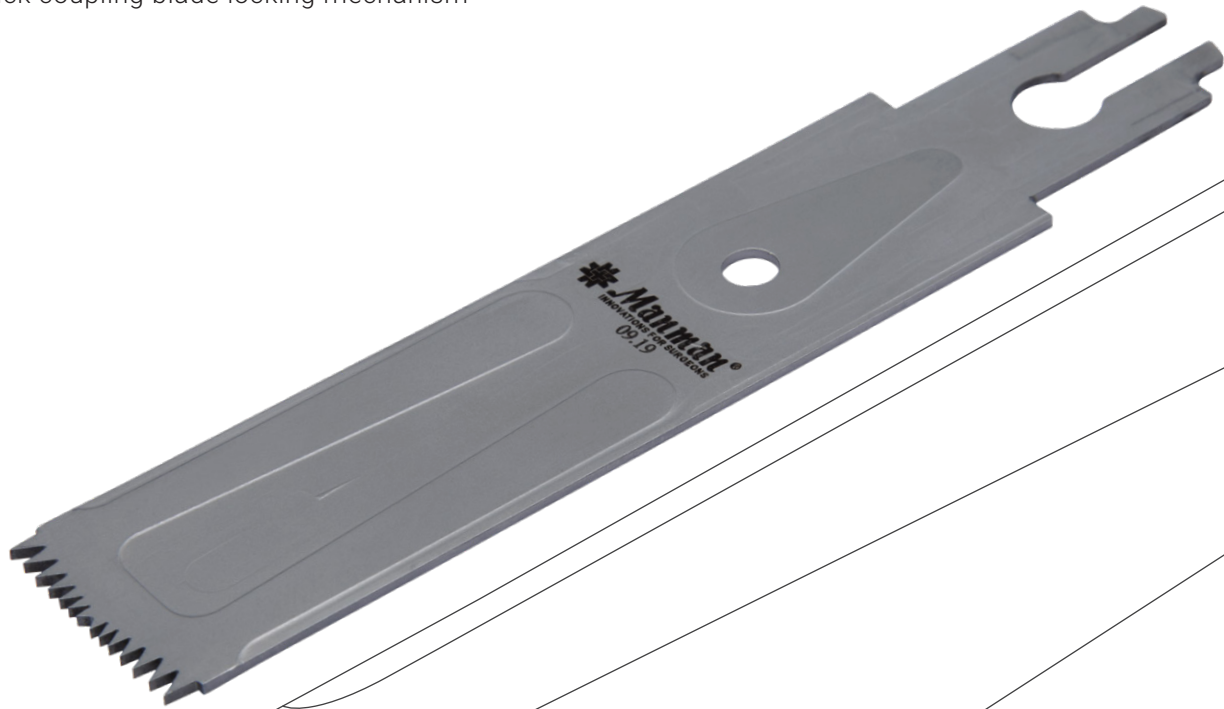


Pro Saw Bladeset



Manman Ultra Cut Blade

- Cutting arc designed to give a precise cut in every surgery
- Specially designed channel for efficient bone debris removal
- Autoclave and ETO friendly under standard conditions
- Quick coupling blade locking mechanism



Manman Oil Bottle

- Special Oil for lubrication of handpiece after autoclave or Eto cycle
- helps for smooth and effort free performance
- Available in 50 ml and 100 ml non spill bottle



Manman Chuck Key

- Jacobs Chuck Key (0-6 mm)



- Chuck Key Long



- Jacobs Chuck Key (0-4 mm)



Manman Tool Box

All in one tool box for manman products

- Contntes
- Oil Bottle 50 ml
- Dummy Shaft
- Fuse
- Combination Spanner 9 * 10
- Combination Spanner 13 * 14



Manman PC Chord

- Shock proof durable chord for plaster cutter only
- Made for regular use domestic power supply plug
- Extra pvc shield at ends for a long life
- Detachable chord with push pull type connector
- Special connector to prevent electrical hazard
- Maintenance free



Manman Craniotome Anchor

- Sturdy cap to protect the craniotome during autoclave
- Made of high quality material
- Robust design for easy and convenient use



Manman Autoclave Box

- Large and rugged box
- Single tray for all hand-piece
- Modular assembly for easy fitments
- Facilitates well the sterilization of all the devices
- With water repel technology and drain vents for easy and quick removal of water



Manman Driving Unit

- Compatible with domestic power supply 220 Volts/5 Amp A.C.
- Completely enclosed metal shock proof design
- Sturdy Foot switch with inbuilt speed control mechanism

ORDER CODE **A**

Manman Flexible Shaft

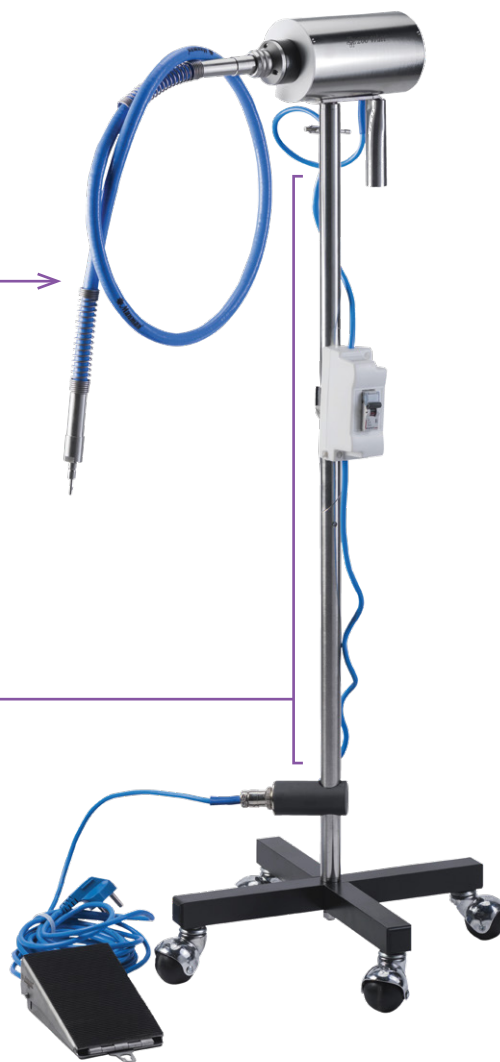
- Weight approx. 1000gms
- Autoclave and eto friendly
- Push - Pull Type ends.

ORDER CODE **I**

Stand

- Castors for mobility
- Can be dismantled & Packed into a Suitcase.

Common motor driving unit for
Ortho, Neuro, Cardiac Surgeries



Newlife Surgical Works (CE) 1499

An ISO 9001:2008 Certified Company

WORKING UNDER
WHO & INTERNATIONAL ISO
SPECIFICATIONS & GUIDELINES



NewLife Surgical Works

An ISO 9001 : 2008 & CE Certified Company

Made in India
Since 1973

FOR MORE INFORMATION, CONTACT



New Life Surgical Works

An ISO 9001 : 2008 Certified Company,

